

M190

190-lb Capacity OPL Dryer

Standard Features:

- 190-lb. capacity
- 61.20 cu. ft. volume
- 590,000 Btu/hr heat input and 4,200 cfm
- Radial airflow
- Steel door with gasketless glass
- Self diagnostic microprocessor with patented auto drying feature
- Easy access to lint compartment
- Available in gas and steam heat
- Reversing basket
- Four-Point Roller Support System
- Stainless steel basket

Optional Features:

- Stainless steel front and cabinet
- F.S.S. (Fire Suppression System)

OPL
OPL



M190 OPL Dryer

Why Purchase Milnor M190?

Engineer Driven Design That is Built to Last

Our dryers showcase an engineer-driven approach to design. Bearings are permanently lubricated on the motor and drive system. There are no chains used; rather, we use V-belts and pulleys for smooth, quiet, and trouble free operation. Our dryer cabinets are electrostatically powder-painted inside and out then baked at 420-degrees fahrenheit before final assembly - ensuring the hardest surface and the longest lasting finish in the industry.

Rugged Steel Door with Gasketless Door Glass

Our dryer doors are one solid piece of steel with gasketless glass. This eliminates the issue of glass falling out due to wear and tear on rubber gaskets that some manufacturers use to secure their glass. The security and durability that gasketless glass provides is essential to longevity.

Easy-to-Read, Multilingual Controls

Our dryers were one of the first computer operated dryers on the market and we continue to apply innovative technology to dryer operation. Our accessible design, easy-to-read LED screens and our user friendly multilingual interface positions Milnor as a leader in the laundry industry.

Your local Milnor independent authorized distributor



M190

ML-190 Specifications

Maximum Capacity (dry weight)	190 lb	86.18 kg
Tumbler Diameter	55-5/8"	141.29 cm
Tumbler Depth	43-1/2"	110.49 cm
Tumbler Volume	61.20 cu ft	1732.99 L
Tumbler / Drive Motor	3 hp	2.24 kW
Blower / Fan Motor	7-1/2 hp	5.59 kW
Door Opening (diameter)	31-3/8"	79.71 cm
Door Sill Height	36"	91.44 cm
Water Connection	3/4"-11.5 NH	
Dryers per 20'/40' Container	3 / 7	
Dryers per 48'/53' Container	8 / 8	
GAS MODEL		
Voltage Available	208-575v 3ø 3,4w	50/60 Hz
Approximate Net Weight	2,100 lb	952.54 kg
Approximate Shipping Weight	2,166 lb	982.48 kg
Airflow 60 Hz/50 Hz	4,200 cfm	118.9 cmm
Heat Input	590,000 Btu/hr	148,678 kcal/hr
Exhaust Connection (diameter)	20"	50.80 cm
Compressed Air Connection	1/4" Quick Connection	
Compressed Air Volume	4.25 cfh	0.12 cmh
Inlet Pipe Connection	1-1/2" F.N.P.T.	
ELECTRIC MODEL		
Voltage Available	208-575v 3ø 3,4w 50/60 Hz	
Approximate Net Weight	N/A	
Approximate Shipping Weight	N/A	
Airflow	N/A	
Exhaust Connection (diameter)	N/A	
Compressed Air Connection	N/A	
Compressed Air Volume	N/A	
Oven Size	N/A	
STEAM MODEL		
Voltage Available	208-575v 3ø 3,4w	50/60 Hz
Approximate Net Weight	2,349 lb	1,065.49 kg
Approximate Shipping Weight	2,515 lb	1,140.78 kg
Airflow 60 Hz/50 Hz	4,400 cfm	124.59 cmm
Steam Consumption (Max)	540 lb/hr	245 kg/hr
Operating Steam Pressure	125 psi max	8.62 bar
Exhaust Connection (diameter)	20"	50.80 cm
Compressed Air Connection	1/4" Quick Connection	
Compressed Air Volume	4.25 cfh	0.12 cmh
Boiler Horsepower (Normal Load)	14.5 Bhp	
Supply Connection	(1) 1-1/2" N.P.T. (Female)	
Return Connection	(1) 1-1/2" N.P.T. (Female)	

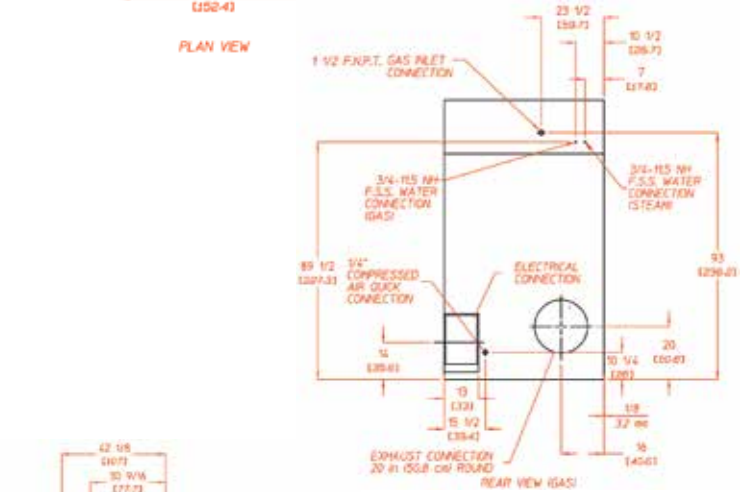
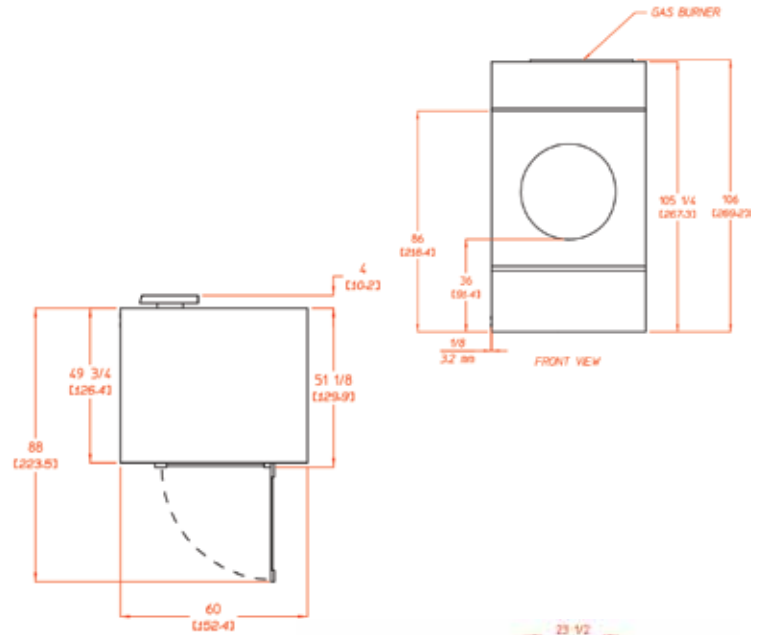
IMPORTANT: Dryer requires a clean, dry and regulated 80 PSI +/- 10 PSI (5.51 bar +/- 0.68 bar) air supply. REV 04/05/15

DRYER NOTES:

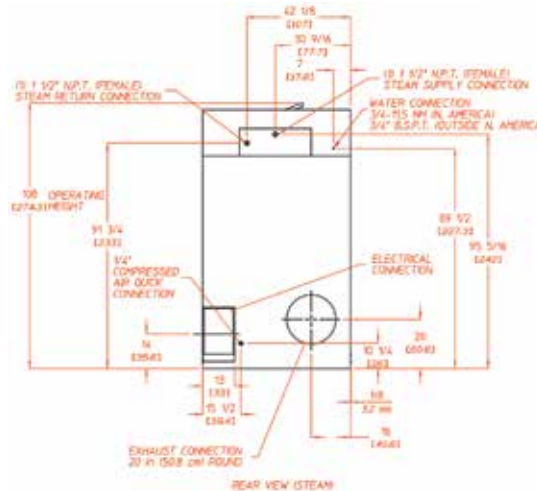
- * DUCTWORK SIZE VARIES WITH INSTALLATION CONDITIONS.
- * EXHAUST STATIC PRESSURE MUST BE NO LESS THAN 0 AND MUST NOT EXCEED 0.3" (0.74 MB) WATER COLUMN.
- * DRYER REQUIRES A CLEAN, DRY, REGULATED 80 PSI +/- 10 PSI (5.51 BAR +/- 0.69 BARI) AIR SUPPLY.

STEAM DRYER NOTES:

- * SIZE OF PIPING TO DRYER VARIES WITH INSTALLATION CONDITIONS. CONTACT FACTORY FOR ASSISTANCE.



Electrical Service Specifications					
SERVICE VOLTAGE	PHASE	WIRE SERVICE	APPROX AMP DRAW		CIRCUIT BREAKER
			60 Hz	50 Hz	
GAS & STEAM					
208	3ø	3	37.0	--	50
220	3ø	3	35.0	--	50
220	3ø	3	--	36.0	50
230	3ø	3	34.0	--	30
230	3ø	3	--	30.0	30
240	3ø	3	35.0	--	30
380	3ø	3	19.0	--	30
380	3ø	4	--	18.0	30
400	3ø	4	--	17.0	30
416	3ø	4	--	17.0	30
460	3ø	3	19.0	--	30
480	3ø	3	19.0	--	30
575	3ø	3	14.0	--	20
ELECTRIC					
220	3ø	3	312.0	--	400.0
240	3ø	3	338.0	--	425.0



Pellerin Milnor Corporation, PO Box 400, Kenner, LA 70063 USA, Phone 504.712.7656 Toll Free: 800.469.8780 Fax: 504.468.3094

www.milnor.com